



**LED Spot 100 IC / LED Spot 100 HP IC  
LED Spot 200 HP IC  
& LED powerdrive IC**

**System features**

- Irradiation with more than 5.000 mW/cm<sup>2</sup>
- Wavelengths: 365, 385, 395, 405 und 460 nm
- Irradiation area:  
100 x 100 mm resp.  
200 x 50 mm

**Advantages**

- Low temperature load
- Stackable without gap for larger areas
- IC (Integrated Controller) or Plug & Play with **LED powerdrive IC**

## LED Spot 100 IC / 100 HP IC & LED Spot 200 HP IC

The solution for all applications which need a highly intensive UV irradiation on larger areas.

### Your Benefit

- Homogeneous irradiation of the substrate due to a uniform light distribution for perfect curing results
- Process reliability thanks to the recognition of LED-malfunction and comprehensive monitoring functions
- A maximum of productivity as well as safe and reproducible quality in automated production lines
- Flexibility of use: Irradiation of different geometries by a modular stringing together of several LED Spots for homogenous irradiation
- Suitable for any substrate due to different wavelengths

### Application fields

- Bonding, fixing or encapsulating of components in the **sectors Electronics, Opticals or Medical Engineering**
- **Fluorescence simulation** for material testings, particle detection and optimizing AOI applications
- High-intensive UV irradiation in the **biochemical sector**

### Advantages of LED Technology

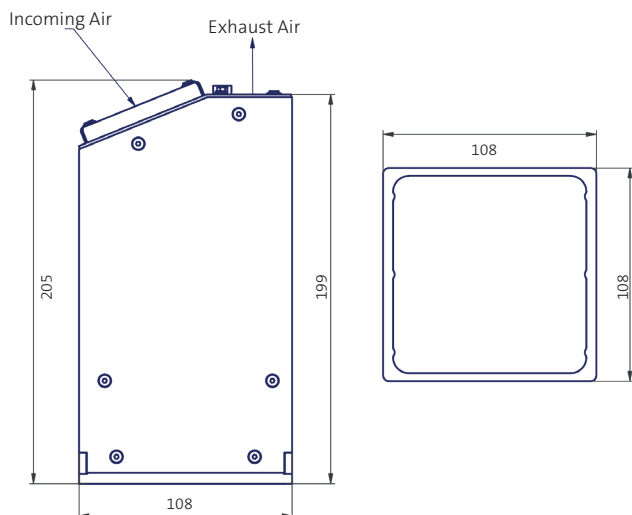
- Low-maintenance due to typically more than **20.000 hours LED-lifetime**
- No warm-up phase, ready for **immediate operation**
- **No IR irradiation**, lowest temperature load for temperature-sensitive materials

### Facts & Figures

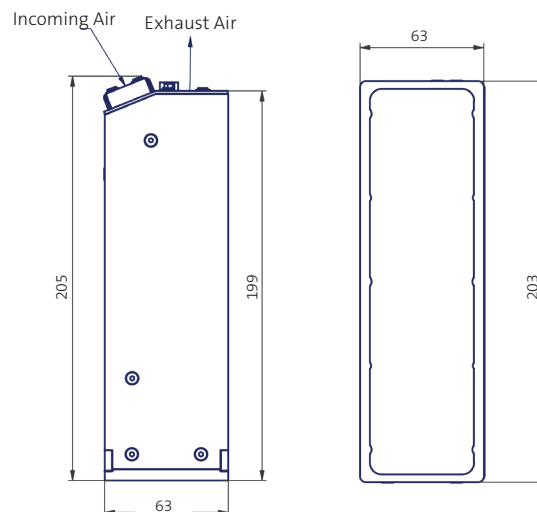
Type	LED Spot 100 IC / LED Spot 100 HP IC	LED Spot 200 HP IC
Available wavelengths [nm], +/- 10 nm	365   385   395   405   460	365   385   395   405   460**
Typical intensities [mW/cm <sup>2</sup> ]*	1.100   1.500   1.700   2.000   2.500**	
Typical intensities HP version [mW/cm <sup>2</sup> ]*	2.200   3.000   3.500   4.000   5.000**	2.200   3.000   3.500   4.000   5.000**
Dimensions [mm] ( B x T x H)	108 x 108 x 205	203 x 63 x 205
Light-emitting aperture in mm:	100 x 100	200 x 50
Interfaces	Digital PLC interface, BUS control via RS485	
Safety	Integrated Control (IC): monitoring functions including short-circuit, interruption, excess temperature and reading out of operation hours	
Cooling	air cooling (apt for continuous operation)	

\* measured with LED-F3 /(LED-VIS-F1) \*\* surface sensor for UV-Meter

### LED Spot 100 (HP) IC



### LED Spot 200 HP IC



## Control and Supply

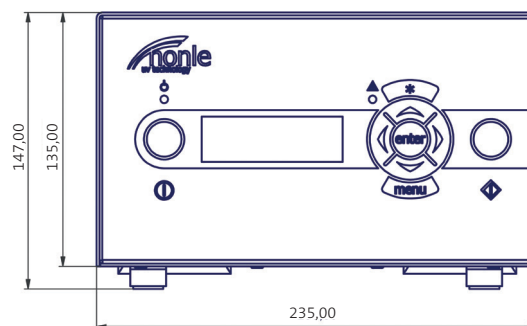
Mains supply and control of all LED Spots IC are provided by the optionally available LED powerdrive IC or directly by customers' power supply and PLC.

### Control and Supply via LED powerdrive IC

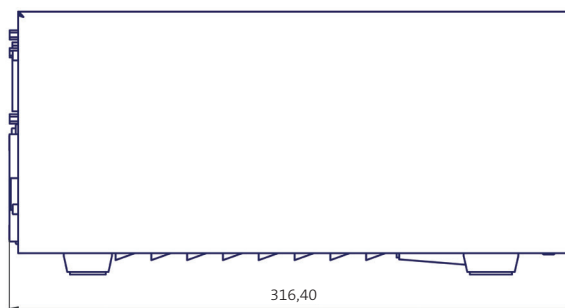
- **Plug&Play** solution
- Automatic recognition of the connected LED Spot
- For direct reading on the display **at one glance**: operation status, LED temperature, irradiation time
- **Electrical LED power** adjustable in 1%-steps from **10% to 100%**
- Comprehensive functions for monitoring, safety and stability of the process
- Available in various versions, **optionally with safety-related release according to performance level e**
- Further information and adjustments in the service menu

### Userfriendly

- **Intuitive operation** on clearly arranged display
- **Operation panel** for a fast and guided adjustment of the main parameters: power and time
- Saving of the adjusted parameters due to **key-lock-function**



Front view

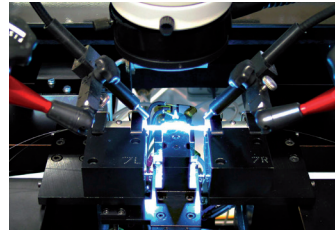


Side view

Control & Supply of the LED Spot IC	LED powerdrive IC	Customer-specific
		LED powerdrive 400 IC: for 1 LED Spot LED powerdrive 1200 IC: for up to 3 LED Spots
Intensity regulation adjustable in [%]	10% - 100% (1%-steps) analog dimming via 0-10-V signal	
Adjustment of irradiation times	sequential from 0,01 to 9999 s suitable for continuous operation	
Interfaces	Digital PLC interface   RS-232	Control via SPS interface / RS-485
Cycle resp. reaction times [sec]	0,1 s	100 µs
Monitoring	Monitoring of LED segment relating temperature, short-circuit, malfunction, operation hours	Integrated control (IC) inside LED Spot
Safety	Safety-related release according to performance level e in HS version	-
Further options	Controllable via foot switch Adapter for operation with up to 3 foot switches	

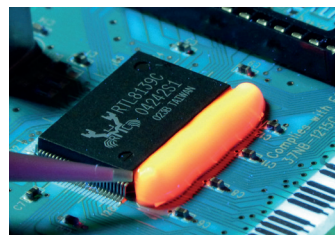
## Unique system competence for industrial bonding processes

Dr. Höhle AG offers a various range of **LED-UV and conventional UV systems** which lead to a complete curing of adhesives or sealants within only fractions of a second.




**Contact for UV curing:**  
Email: [uv@hoenle.de](mailto:uv@hoenle.de)  
Phone: +49 8105 2083-0

Perfectly matched: the **high-tech adhesives** of our subsidiary **Panacol** which are used for industrial bonding processes worldwide for example in key industries such as Electronics, Microelectronics, Optics, Medical Devices, Automotive and E-Mobility.

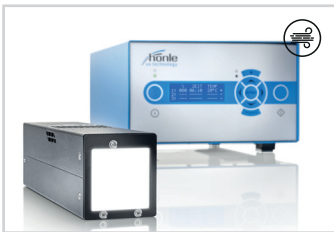


**Contact for Adhesives:**  
Email: [info@panacol.de](mailto:info@panacol.de)  
Phone: +49 6171 6202-0

## More Höhle LED units (Examples)

**Air cooled type** 

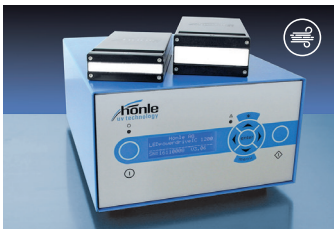
**Water cooled type** 



**LED Spot 40 IC**  
compact flood unit with  
high intensities



**LED Powerline LC**  
length variable in  
40-mm steps in the  
wavelengths 365/385/  
395/405 nm



**LED Powerline AC/IC**  
air cooled high-performance  
UV-LED array



**bluepoint LED eco**  
a highly intensive UV-LED-  
point source



Head Office

Dr. Höhle AG UV Technology, Nicolaus-Otto-Str. 2, 82205 Gilching, Germany  
Phone: +49 8105 2083-0, Fax: +49 8105 2083-148. [www.hoenle.com](http://www.hoenle.com)  
Operating parameters depend on production characteristics and may differ from the foregoing information.  
We reserve the right to modify technical data. © Copyright Dr. Höhle AG. Updated 03/23



DIN EN ISO 9001  
DIN EN ISO 14001